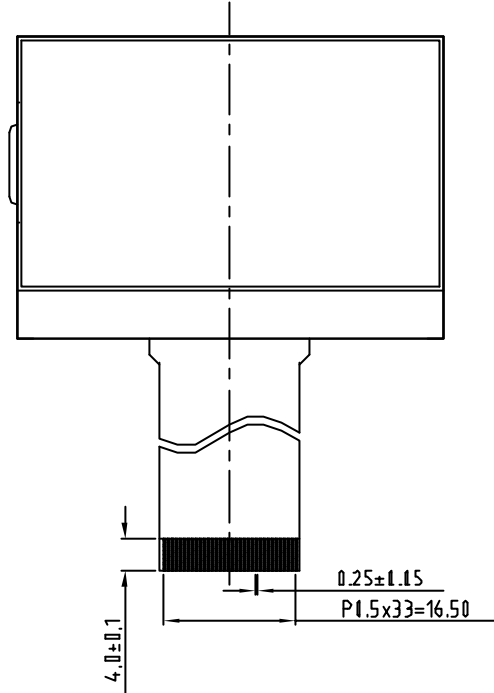
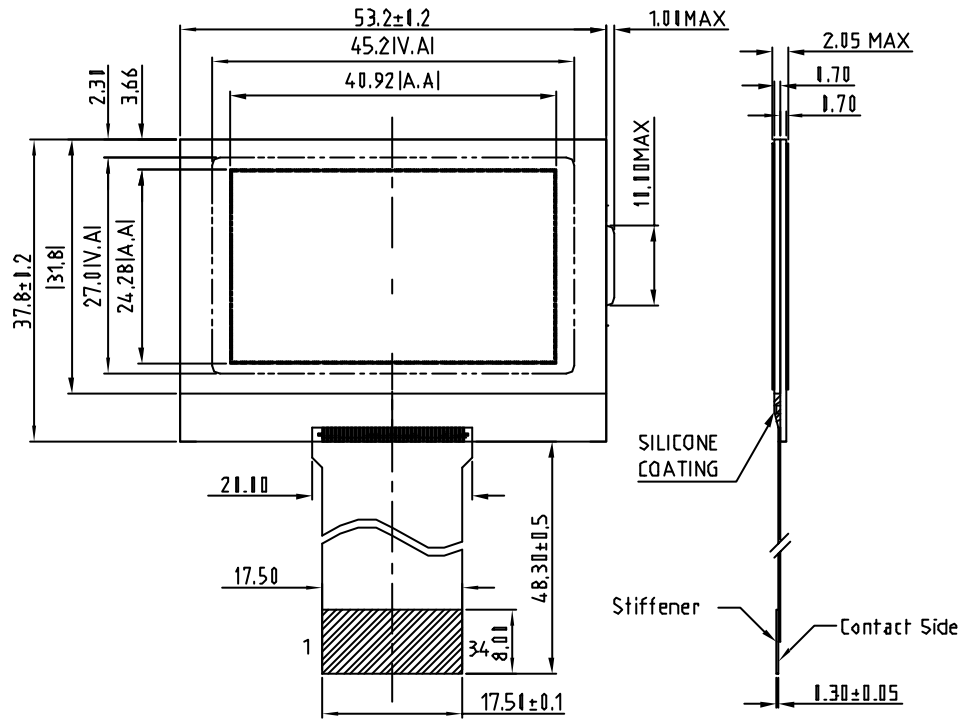
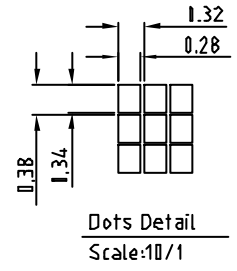


REV	Description	Date
A00	First Issue	2004-JUN-15



PIN ASSIGNMENT

1	IR5	18	CAP5-
2	/HPM	19	VOUT
3	P/S	21	VSS
4	C86	21	VDD
5	VR	22	D7ISII
6	V5	23	D6ISCL
7	V4	24	D5
8	V3	25	D4
9	V2	26	D3
10	V1	27	D2
11	VRS	28	D1
12	CAP4-	29	DI
13	CAP2+	30	RDIEI
14	CAP2-	31	/WR/R/W
15	CAP1-	32	AI
16	CAP1+	33	/RES
17	CAP3-	34	/CS1



Controller: 'SITRONIX' ST7565V

Description: LCD SPECIFICATIONS

Scale: Sheet : 1 of 1

Unspecified Tol. ±0.3 Unit mm

Approvals Date Project Number Item Number

Draw: TMGG12864J-XX

Check:

Approve: Do Not Scale This Drawing

TRI-T COMPANY LIMITED

Projection