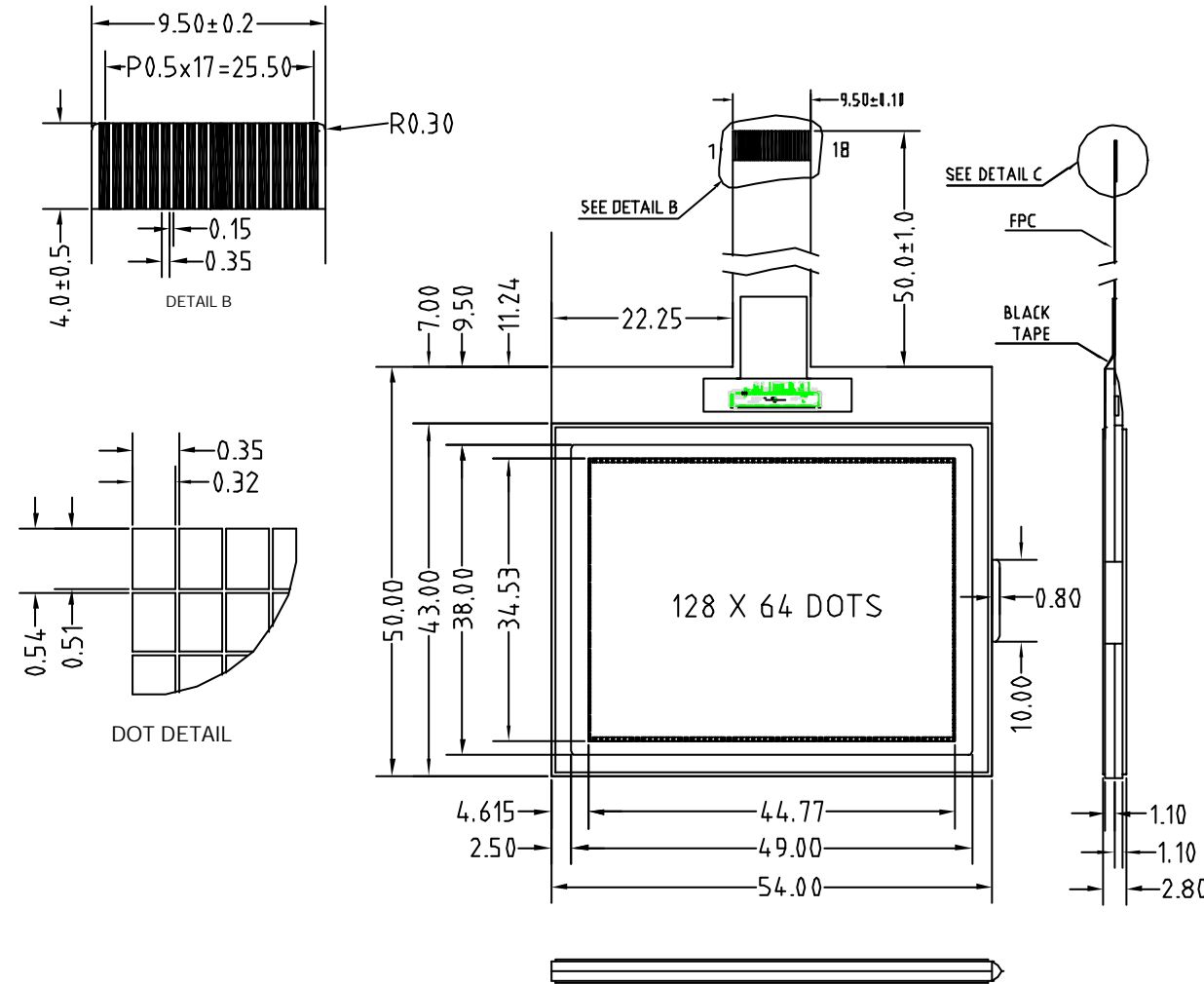


REV	Description	Date
A00	First Issue	2004-MAR-25


PIN ASSIGNMENT

PIN	NAME
1	V6
2	V5
3	V4
4	V3
5	V2
6	C2P
7	C2N
8	C1N
9	C1P
10	C3N
11	VEE
12	VSS
13	VDD
14	SDA
15	SCK
16	D/C
17	/CS1
18	/RES



SPECIFICATIONS:

- 1) FSTN/+VE/B&W/TRANSFLECTIVE MODE
- 2) 1/65 DUTY, 1/9 BIAS, VLCD=9.5V
- 3) VIEWING DIRECTION : 6 O'CLOCK
- 4) OP. TEMP.= -20 °C to +70 °C
ST. TEMP.= -30 °C to +80 °C
- 5) Logic Voltage: 3.0 ±0.3V, IC: 'SOLOMON' SD1815BZ, SERIAL I/O

Description: LCD SPECIFICATIONS	
Scale:	 TRI-T COMPANY LIMITED
Sheet : 1 of 1	
Unspecified Tol. ±0.3	Unit mm
Approvals	Date
Draw:	Project Number
Check:	TMGG12864G-01
Approve:	Item Number
Do Not Scale This Drawing	
Projection	