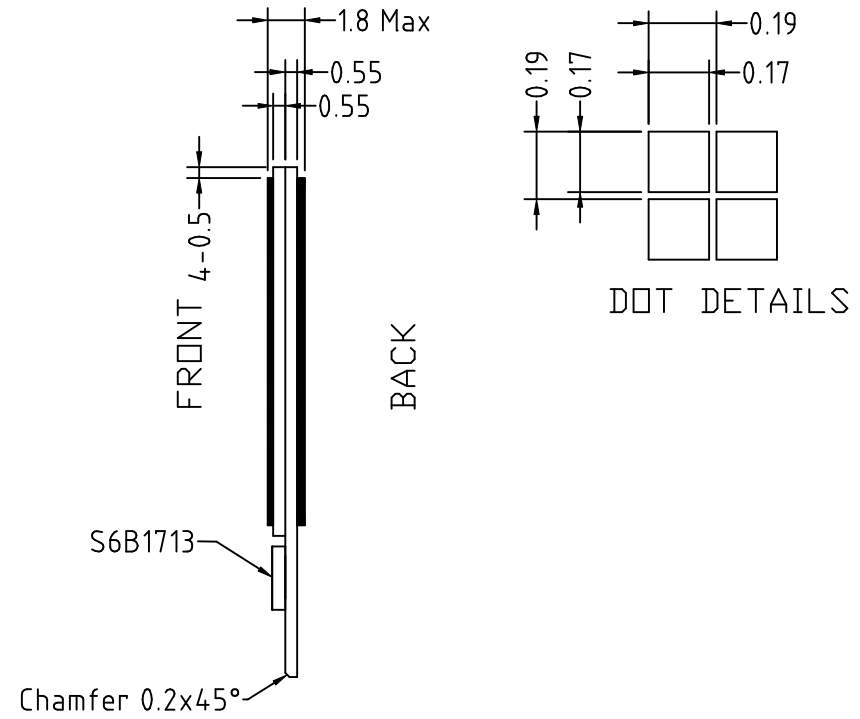
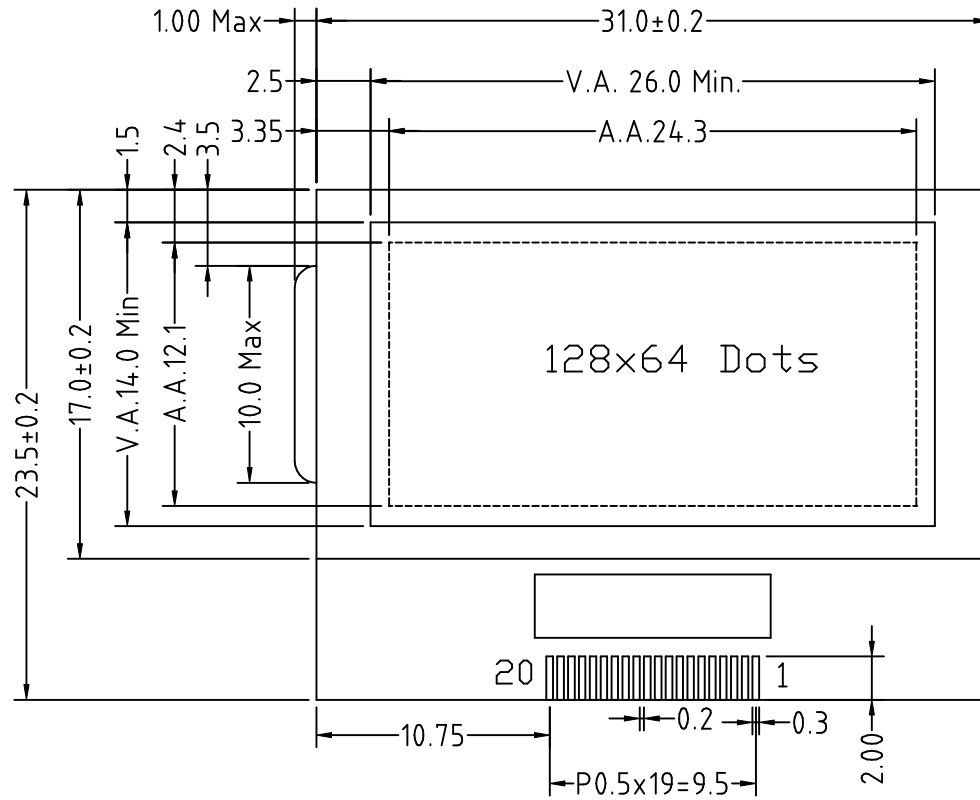

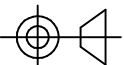


REV	Description	Date
A00	First Issue	2002-AUG-30



PIN TABLE

1	2	3	4	5	6	7	8	9	10
VSS	/CS1B	/RES	RS	SCLK	SID	VDD	VOUT	C3+	C3-
11	12	13	14	15	16	17	18	19	20
C1+	C1-	C2+	C2-	V0	V1	V2	V3	V4	INTRS

<b>Description:</b> LCD SPECIFICATIONS		 <b>TRI-T COMPANY LIMITED</b>		 Projection
<b>Scale:</b>				
Sheet : 1 of 2		Project Number		Item Number
Unspecified Tol. ±0.3		TMGG12864E-XX		
Unit mm		Do Not Scale This Drawing		
Approvals	Date			
Draw:				
Check:				
Approve:				