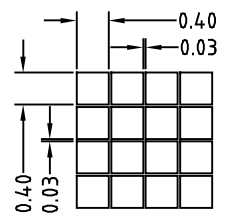
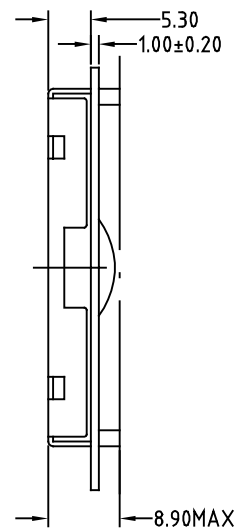
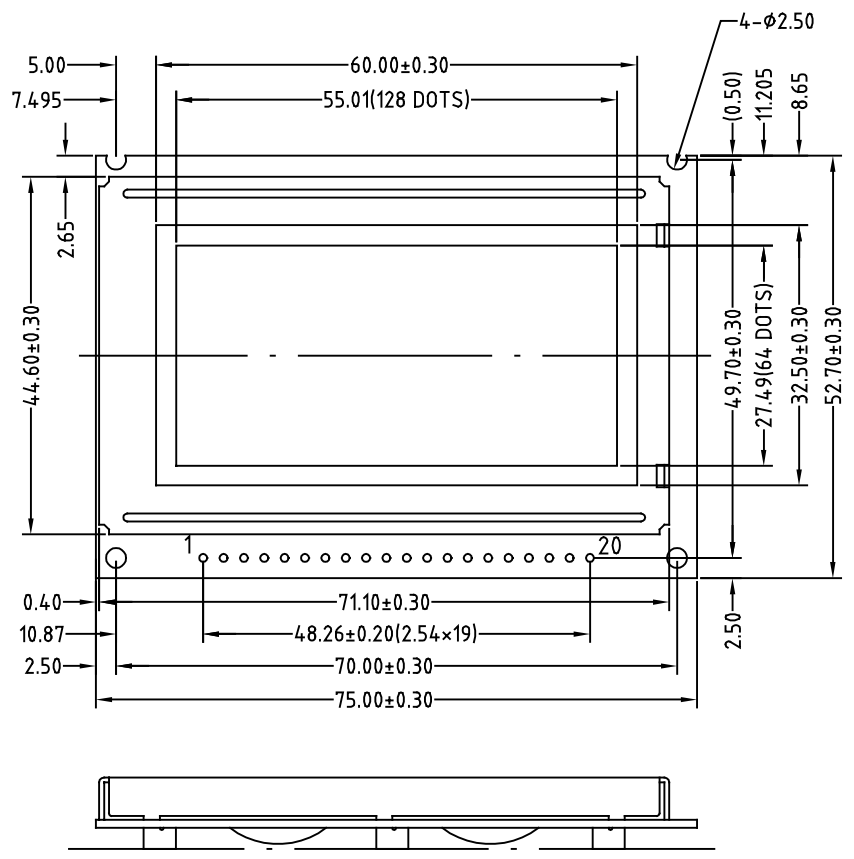



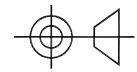
REV	Description	Date
A00	First Issue	2003-OCT-08



DISPLAY PATTERN

PIN CONNECTION

1	V _{DD}
2	V _{SS}
3	V ₀
4	DB0
5	DB1
6	DB2
7	DB3
8	DB4
9	DB5
10	DB6
11	DB7
12	CS1
13	CS2
14	RESET
15	R/W
16	DI
17	E
18	FGND
19	ANODE
20	CATHODE

Description:		MECHANICAL SPECIFICATIONS		
Scale:		 TRI-T COMPANY LIMITED		
Sheet : 1 of 1				
Unspecified Tol. ±0.3	Unit mm	Project Number TMBG12864E-XX	Item Number	 Projection
Approvals	Date			
Draw:				
Check:				
Approve:		Do Not Scale This Drawing		