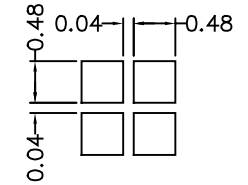
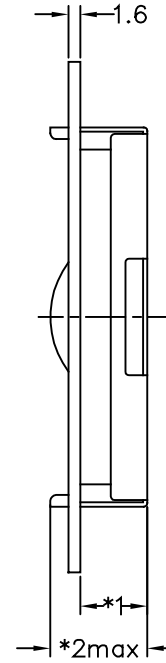
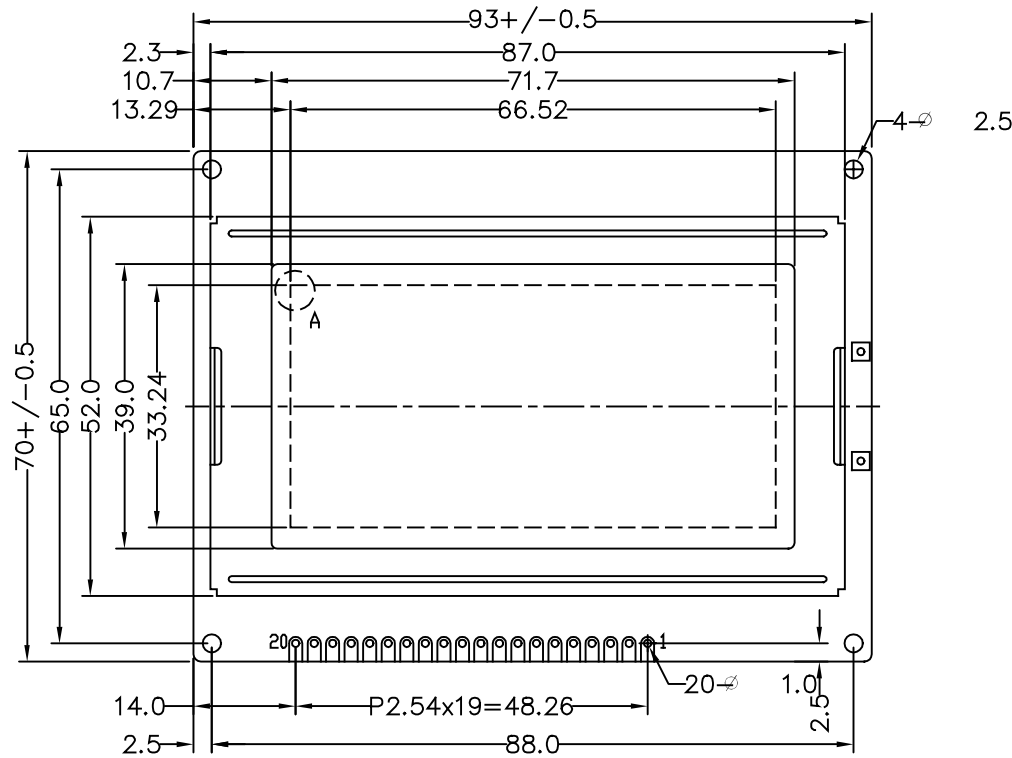



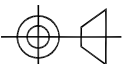
REV	Description	Date
A00	First Issue	2001-NOV-4

TYPE	*1	*2
R or EL	6.0	11.0
LED	9.2	14.0



1	2	3	4	5	6	7~14	15	16	17	18	19	20
Vss	Vcc	Vo	D/I	R/W	E	DB0~DB7	CS1	CS2	RST	Vout	LED+	LED-

Controller: Samsung S6B0107 + S6B0108 (OR EQUIVALENCE)

Description: Mechanical Drawing		 TRI-T COMPANY LIMITED		 Projection
Scale: NTS	Sheet : 1 of 1			
Unspecified Tol. ±0.3	Unit mm	Approvals	Date	Do Not Scale This Drawing
Draw:		Check:		
Approve:				