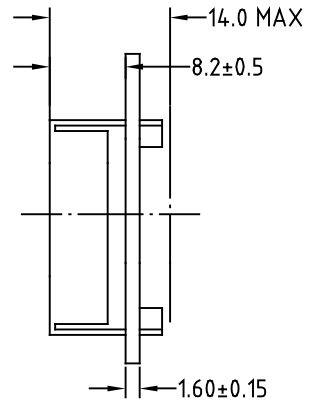
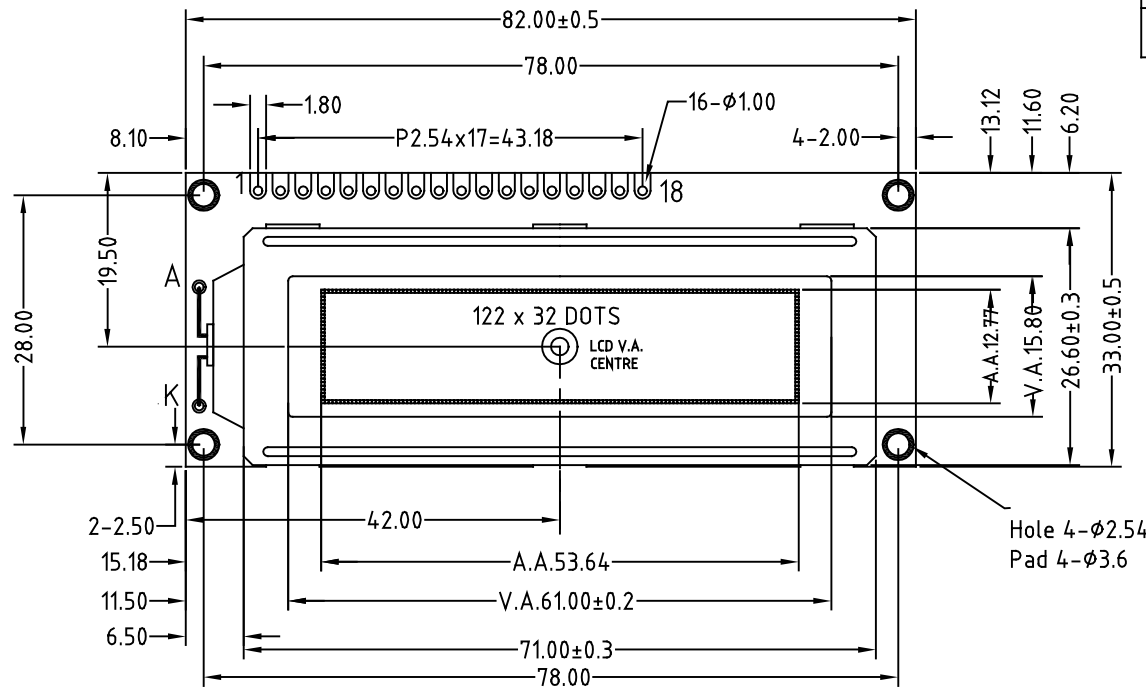
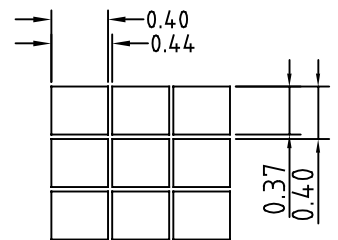


REV	Description	Date
A00	First Issue	2003-SEP-9



WITH WHITE LED BACKLIGHT


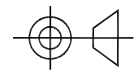


DOTS DETAIL

PIN ASSIGNMENT

1	2	3	4	5	6	7	8	9	10	11	12	13	14	15	16	17	18
VSS	VDD	V0	RS	R/W	E1	E2	RST	DB0	DB1	DB2	DB3	DB4	DB5	DB6	DB7	LED(+)	LED(-)

Controller: EPSON SED1520 OR EQUIVALENCE

Description:		MECHANICAL SPECIFICATIONS		
Scale:		 TRI-T COMPANY LIMITED		
Sheet : 1 of 1				
Unspecified Tol. ±0.3	Unit mm	Project Number		Item Number
Approvals	Date	TMBG12232D-XX		
Draw:		Do Not Scale This Drawing		 Projection
Check:				
Approve:				