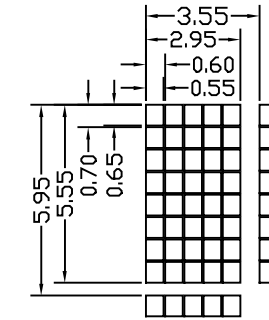
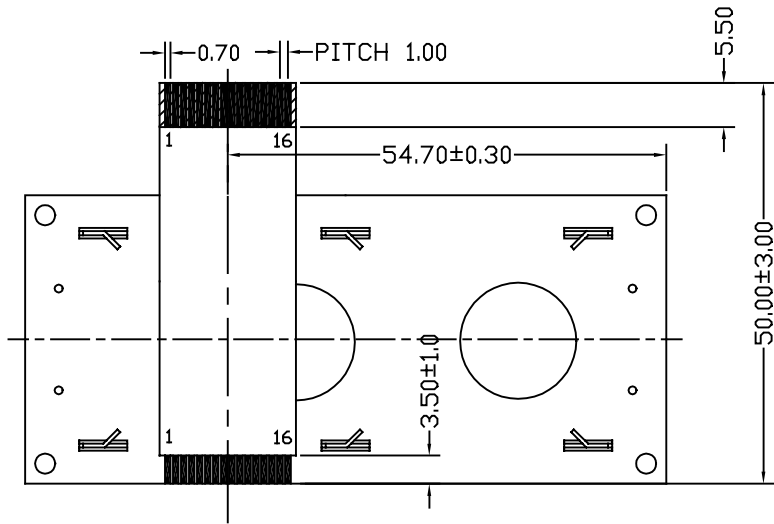
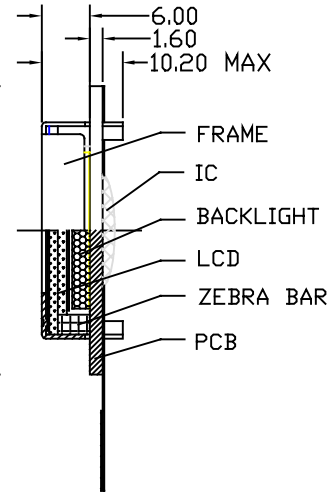
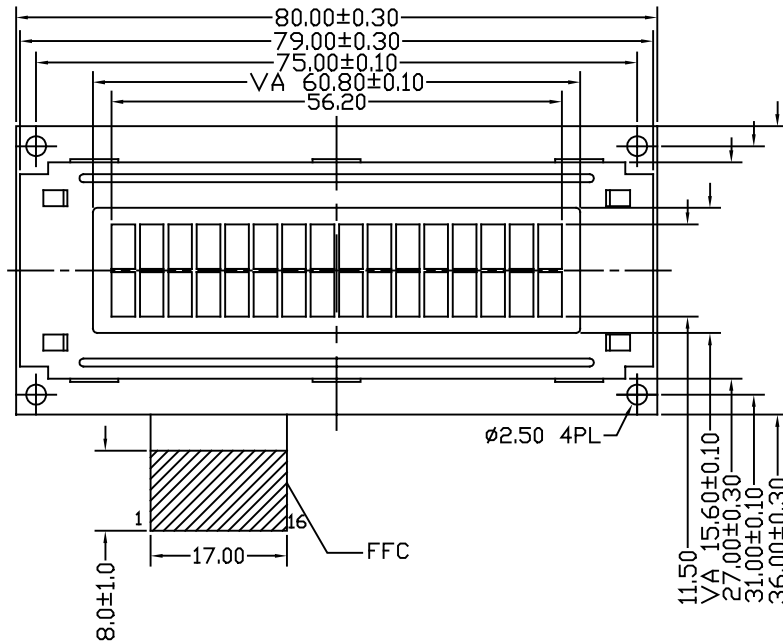


REV	Description	Date
A00	First Issue	2003-MAY-05



Character Dot Details



PIN ASSIGNMENT

PIN NUMBER	SYMBOL	PIN NUMBER	SYMBOL
1	VSS	9	DB2
2	VDD	10	DB3
3	VEE<V0>	11	DB4
4	RS	12	DB5
5	R/W	13	DB6
6	E	14	DB7
7	DB0	15	K
8	DB1	16	A

Description: **MECHANICAL SPECIFICATIONS**

Scale: _____

Sheet : 1 of 1

Unspecified Tol. ±0.3 Unit mm

Approvals _____ Date _____

Draw: _____

Check: _____

Approve: _____

Project Number: **TMBC16265H-XX**

Item Number: _____

Do Not Scale This Drawing

TRI-T COMPANY LIMITED

Projection